

# Scooter Racks



Communities across the country are encouraging children to adopt healthier lifestyles which has seen an increase in children riding their scooters and skateboards to schools and sporting venues.

As with bicycles, there is a need to provide storage and security for these mini modes of transport while they are left unattended, often all day.

Securabike has designed and developed a range of products that are suitable for locations such as schools and shopping centres, as well as amusement and sporting venues.



## Advantages

- Safely secures scooters
- Keeps areas free from clutter
- Encourages children to exercise

## Applications

- Schools
- Swimming pools
- Libraries
- Shopping plazas
- Sport venues.



Introduction 1

Bicycle Facts 4

Design Guide 6

Installation 12

Consulting 13

Security Classes 14

Product Selection 15

## PRODUCT RANGE

Rails 17

Racks 29

Repair Stations 53

End-of-Journey 56

Cages 72

Lockers 76

Shelters 84

Scooters Racks 91

Other Products 94

Standards 99

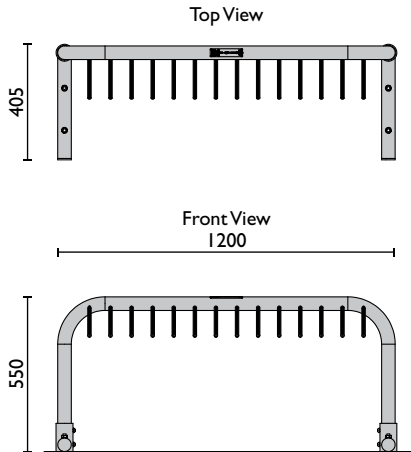
Packaging 100

Index 101

## Racks for Scooters and Skateboards

### SCR13

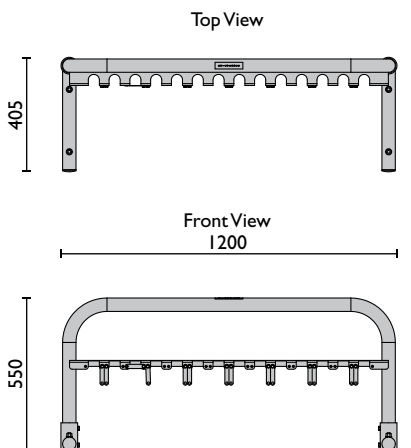
Provides parking for up to 13 scooters and skateboards



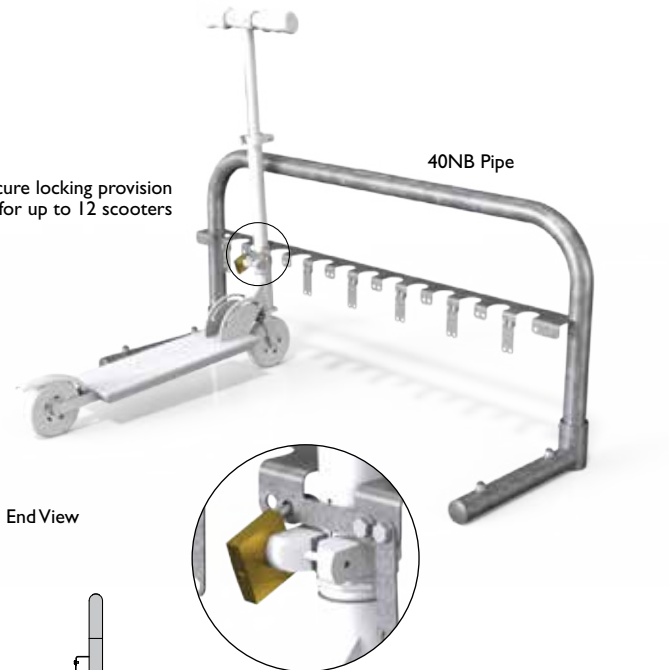
**MOST POPULAR MODEL**

### SCR12L

Lockable



Provides secure locking provision for up to 12 scooters



Note: Padlocks are not supplied

#### Material Specifications (General)

SCR13 40NB (50.0) x 1.5mm light duty pipe / Ø12 round bars / Galvanised / Powder coated in a range of colours  
 SCR12L 40NB (50.0) x 1.5mm light duty pipe / Galvanised / Powder coated in a range of colours

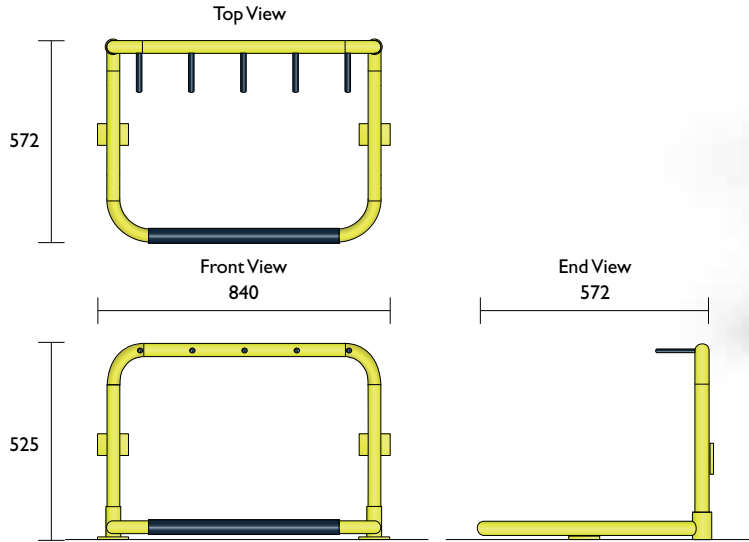


# Racks for Scooters and Skateboards

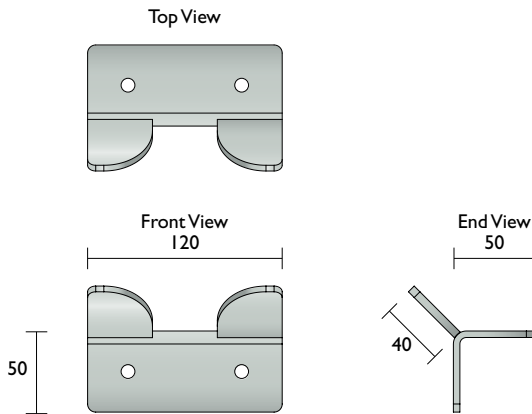
Product Range

1300 780 450

## BSS40 Domestic Rack



## SKB1 Skateboard Blocker



Protects property against damage caused by skateboards

### Material Specifications (General)

BSS40 40NB (50.0) x 1.5mm pipe / Galvanised / Powder coated in a range of colours

SKB1 Galvanised / Powder coated in a range of colours

