

Repair Stations



Introduction	1
Bicycle Facts	4
Design Guide	6
Installation	12
Consulting	13
Security Classes	14
Product Selection	15
PRODUCT RANGE	
Rails	17
Racks	29
Repair Stations	53
End-of-Journey	56
Cages	72
Lockers	76
Shelters	84
Scooters Racks	91
Other Products	94
Standards	99
Packaging	100
Index	101

Securabike has developed a range of bicycle repair and pump stations that are suitable for end-of-journey facilities, bicycle paths or any location where cyclists gather.

They are designed to allow cyclists to position their bicycle conveniently above ground to carry out routine maintenance and repairs.

All Securabike repair stations can be fitted with the optional tool package, tool baskets and Bicycle Repair Station signage.

Advantages

- Safely secures bicycle during repair
- Encourages regular bicycle maintenance
- Stores bicycle tools, spares and repair kits
- Frees-up work bench space

Applications

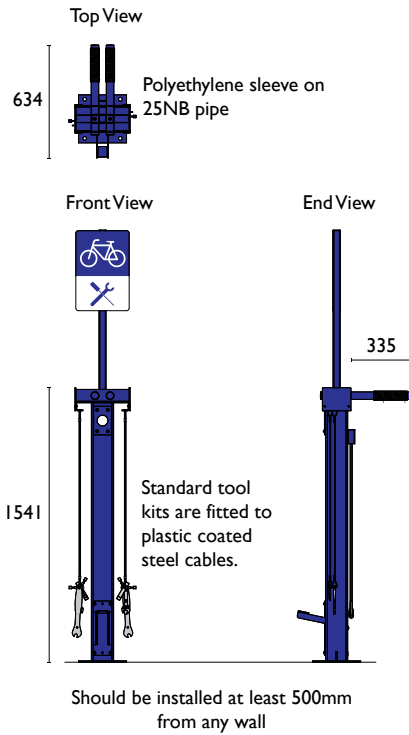
- End-of-journey facilities
- Bicycle retailers
- Home workshops
- Universities and colleges
- Bicycle paths and tracks



These products do not fall under the scope of AS2890.3.

Repair Stations

BBS01



Bike repair signage
300 x 450

Suitable for both indoor and outdoor locations, it provides a sturdy repair station for servicing and maintenance.

Optional signage:
"This repair station is under electronic surveillance, vandals will be prosecuted."

Vandal resistant mesh cover to pressure gauge

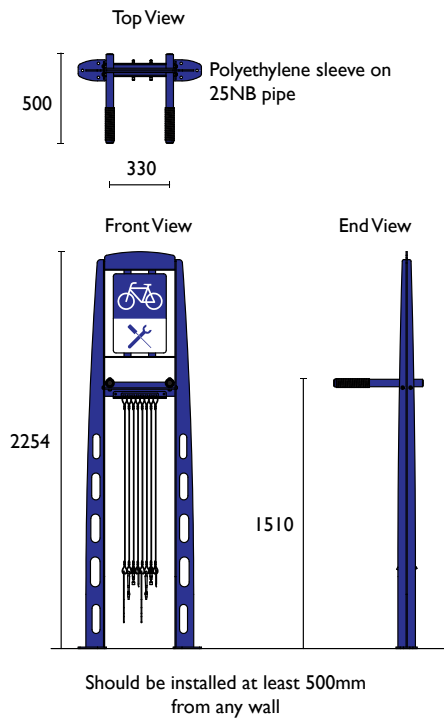
Vandal resistant stainless steel braided hose

Tool kit included

Integrated foot pump with pressure gauge fitted as standard



BBS02



Developed primarily for use outdoors on bicycle paths or at community facilities such as swimming pools and sports centres

Standard tool kits are fitted to plastic coated steel cables.

Tool kit included



Material Specifications (General)

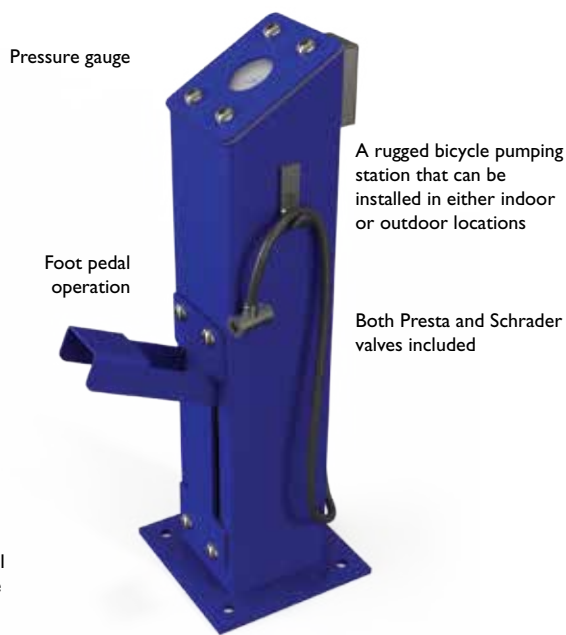
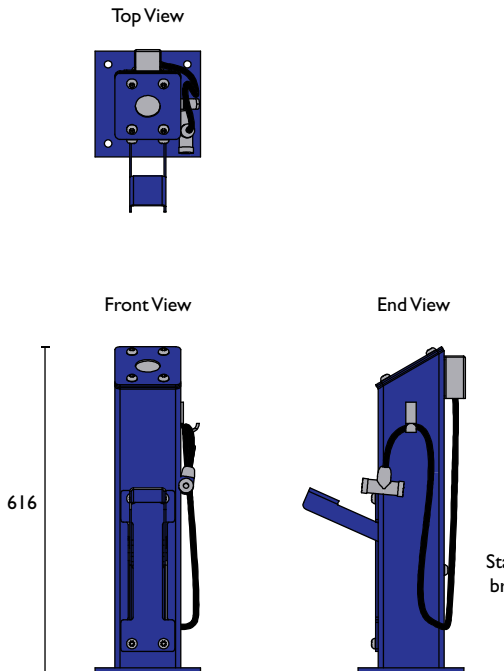
BBS01	125 x 125 x 4mm SHS / Hot dipped galvanised
BBS02	6mm mild steel plate / Hot dipped galvanised
Cable	10mm stainless steel cable

Repair Stations

Product Range

1300 780 450

BPS01 Pumping Station



When installing bike repair and pump stations care should be taken to minimise potential vandalism and tampering with the equipment. Units should be installed in well lit and popular locations,

A rugged bicycle pumping station that can be installed in either indoor or outdoor locations

Both Presta and Schrader valves included

BRST01 Tool Kit

These are the tools normally provided and fitted to bike repair stations BBR501 and BBR502, they are also available as replacement tool kits.



Notes: Each tool is secured using a blue plastic-coated steel cable and crimped with an aluminium ferrule. Spare tool kits are supplied with the tool pre-attached to the security cable and crimped at both ends. Tools can be purchased separately or as a set (BRST01). Spare tools are available in full sets to replace vandalised or stolen tools.

Optional high security and vandal resistant tool sets available using 5mm galvanised chain.

BRPA02 Foot Pump Assembly



Industrial grade foot pump supported by a frame. It is located within the main structure to protect it from vandalism.

BRPG03 Pressure Gauge Assembly



Oil filled pressure gauge with steel plate frame and impact-resistant polycarbonate screen.

BRHP Hose Pump Assembly



Stainless steel braided hose, fitted with Presta and Schrader valves

BRVA Dual Valve Only



Material Specifications (General)

BPS01 125 x 125 x 4mm SHS / Hot dipped galvanised