

Bicycle Rails

Multiple Hitching Rail HRB2/3/4/5

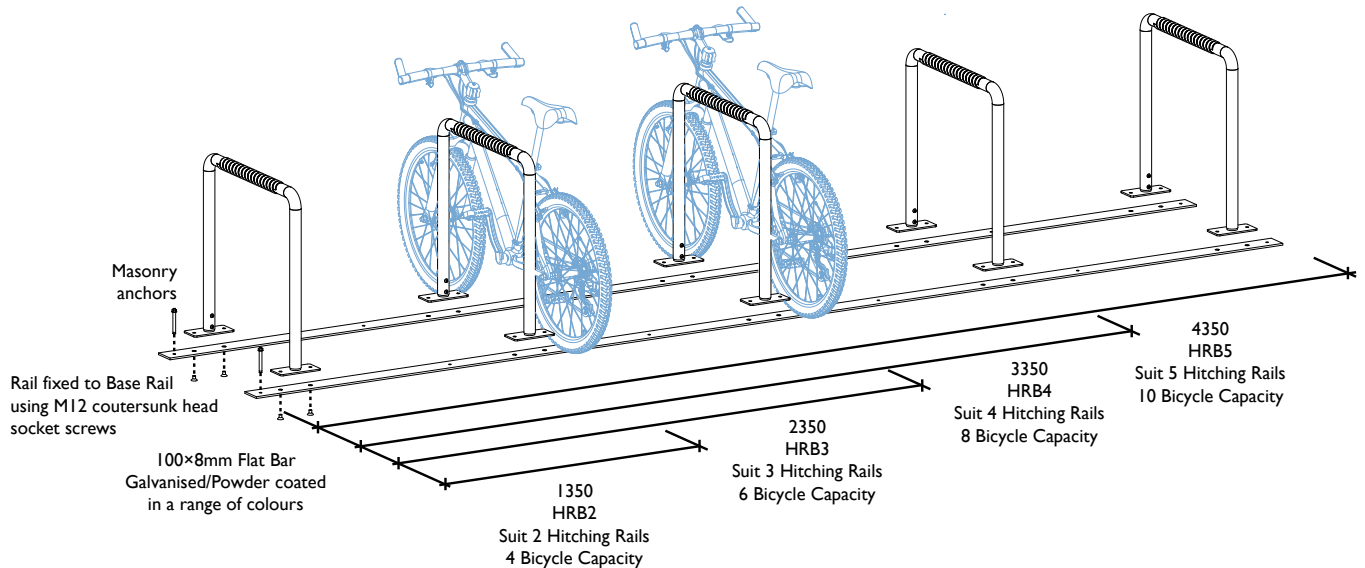
Many of Securabike's Bicycle Rails are supplied as individual units that can be bolted to Base Rails to accommodate 2, 3, 4 or 5 units. The system eliminates the need to provide multiple concrete footings and is ideal for use over paved or bitumen surfaces.

Typical Installation Example
BR11B Bicycle Rail
illustrated



NOTE Also available in stainless steel.
Add "S" to the prefix model no. when ordering (SHRB)

HRB5 illustrated
Suits 5 Hitching Rails
10 Bicycle Capacity



Bicycle rails should be installed at 1000 centres to conform to AS2890.3 requirements allowing easy access for cyclists.

Material Specifications (General)

Mild steel 100 x 8mm Mild steel flat bar / Galvanised / Powder coated in a range of colours
Stainless steel 100 x 8mm Stainless flat bar / Linished finish

