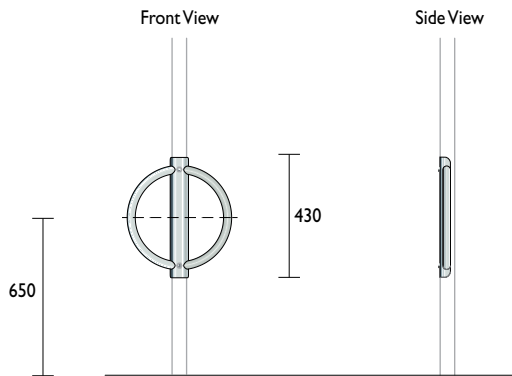


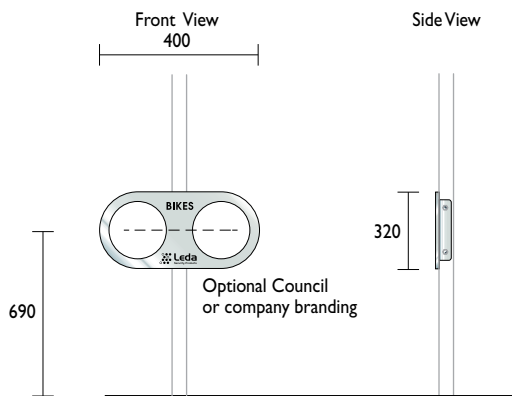
Bicycle Rails > Post Mounted

PPR50



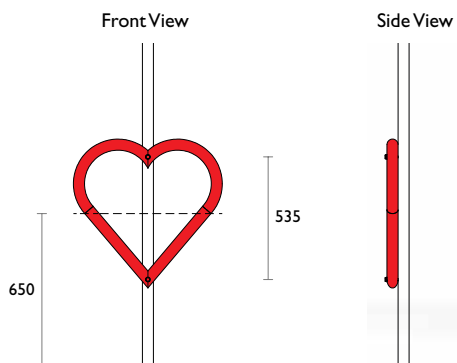
Units are designed to bolt-fix to existing 40NB or 50NB posts using M12 bolts & shear nuts

PPR52



Units are designed to bolt-fix to existing 40NB or 50NB posts using M12 bolts & shear nuts

HSBPR
Heart Shaped



Units are designed to bolt-fix to existing 40NB or 50NB posts using M12 bolts & shear nuts

Material Specifications (General)

- PPR50 32NB (38.0) x 1.5mm Galvanised pipe / 32NB (38.0) x 1.5mm Stainless steel pipe
- PPR52 16mm (nominal) Aluminium plate
- HSBPR 40NB (50.0) x 1.5mm Pipe / Galvanised / Powder coated in a range of colours

