

BRV26A
Semi Vertical

BRV26A
Semi-Vertical Bike Racks

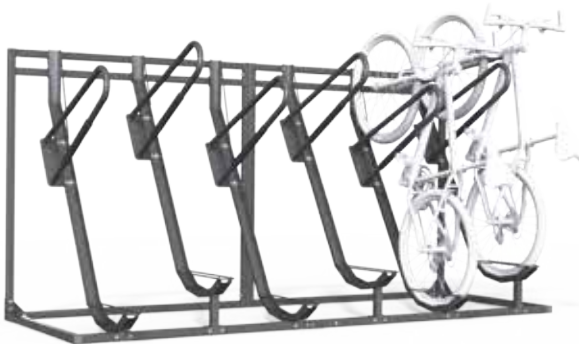


Easy to use
back wheel
roll on / roll off

Plasma-cut
Tracks

40x40x2mm SHS

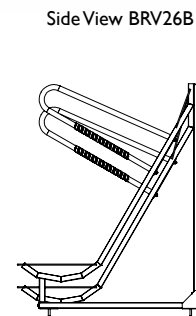
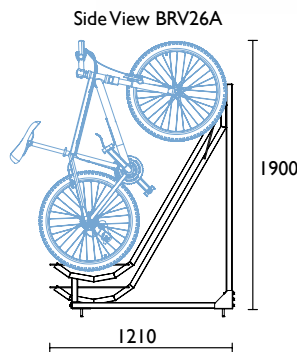
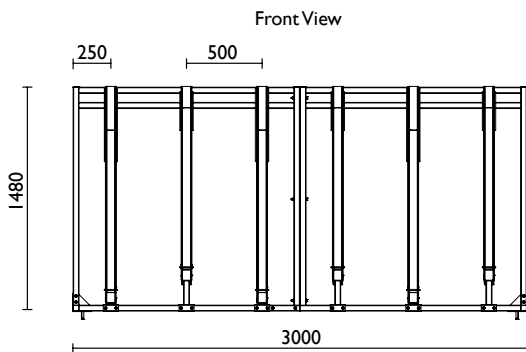
BRV26B
(With leaning rail fitted)



Using a modular steel frame, the BRV26A is supplied in knock-down kit form allowing it to be easily transported and quickly bolted together on site.

Optional leaning rails can be fitted for higher security applications (BRV26B), as well as wheels to slide the entire rack away from a wall. e.g. intermittent access to storage or utility areas.

**AS2890.3
COMPLIANT**



Material Specifications (General)

Frame 40x40x2mm SHS / Hot dipped galvanised / Powder coated in a range of colours
Track / Rails 2mm mild steel plate / 20NB (25.0) x 1.2mm Pipe / Hot dipped galvanised or powder coated in a range of colours

