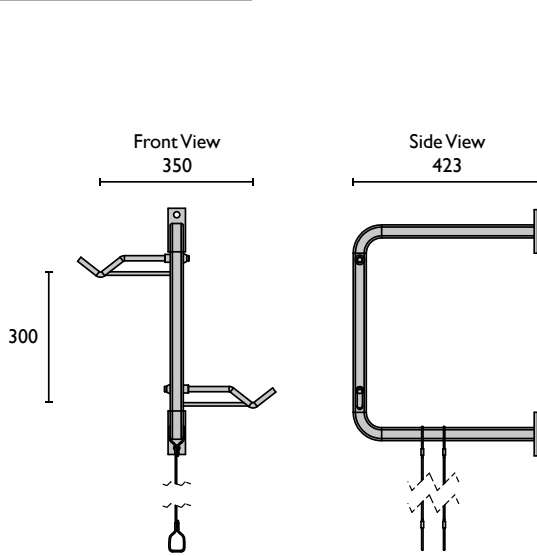


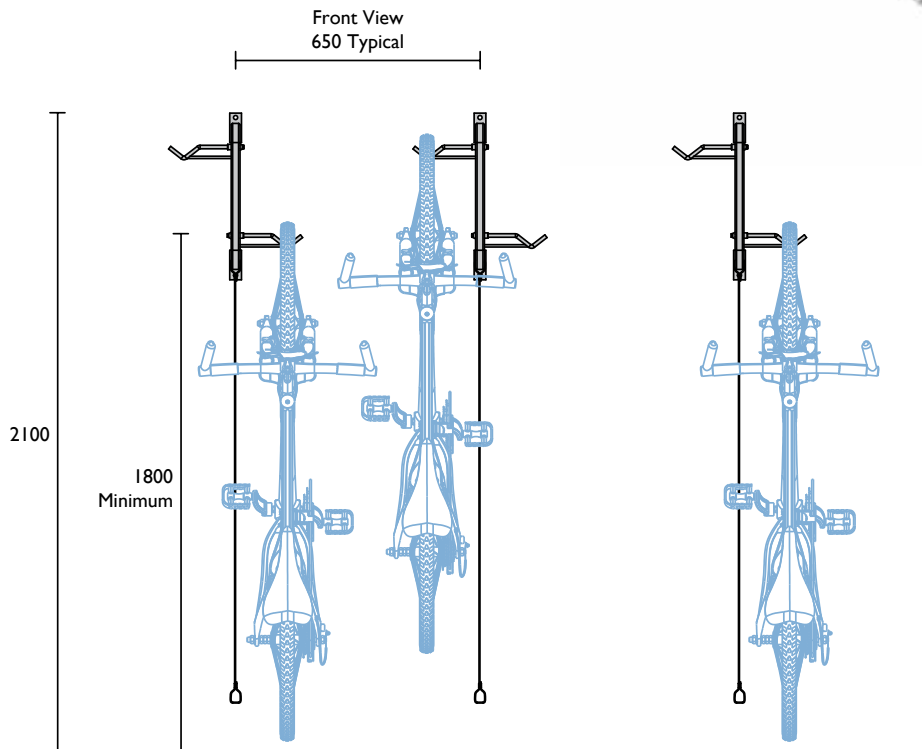
Bicycle Racks > Vertical

BR542F
Wall Mount



BIGGEST SELLER
Wall Mounted

Multiple Installation Guide
Utilising the available wall space in the bicycle parking location, helps maximise the number of bicycles that can be securely stored.



Material Specifications (General)
30 x 30 x 1.6mm SHS / Hot dipped galvanised / Powder coated in a range of colours
100 x 40 x 6mm MS plate / Hot dipped galvanised / Powder coated in a range of colours

