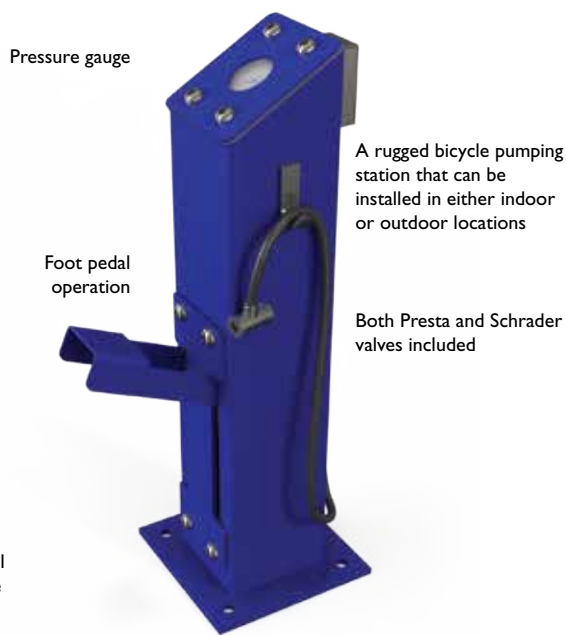
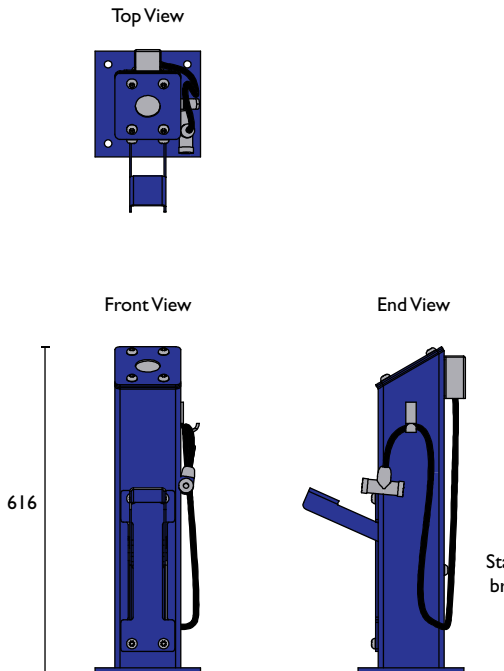


Repair Stations

Product Range

1300 780 450

BPS01 Pumping Station



When installing bike repair and pump stations care should be taken to minimise potential vandalism and tampering with the equipment. Units should be installed in well lit and popular locations,

A rugged bicycle pumping station that can be installed in either indoor or outdoor locations

Both Presta and Schrader valves included

BRST01 Tool Kit

These are the tools normally provided and fitted to bike repair stations BBR501 and BBR502, they are also available as replacement tool kits.



Notes: Each tool is secured using a blue plastic-coated steel cable and crimped with an aluminium ferrule. Spare tool kits are supplied with the tool pre-attached to the security cable and crimped at both ends. Tools can be purchased separately or as a set (BRST01). Spare tools are available in full sets to replace vandalised or stolen tools.

Optional high security and vandal resistant tool sets available using 5mm galvanised chain.

BRPA02 Foot Pump Assembly



Industrial grade foot pump supported by a frame. It is located within the main structure to protect it from vandalism.

BRPG03 Pressure Gauge Assembly



Oil filled pressure gauge with steel plate frame and impact-resistant polycarbonate screen.

BRHP Hose Pump Assembly



Stainless steel braided hose, fitted with Presta and Schrader valves

BRVA Dual Valve Only



Material Specifications (General)
BPS01 125 x 125 x 4mm SHS / Hot dipped galvanised