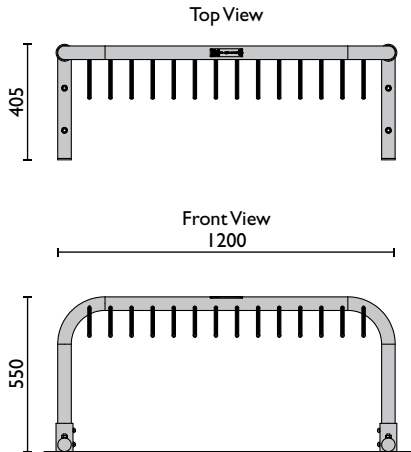


Racks for Scooters and Skateboards

SCR13

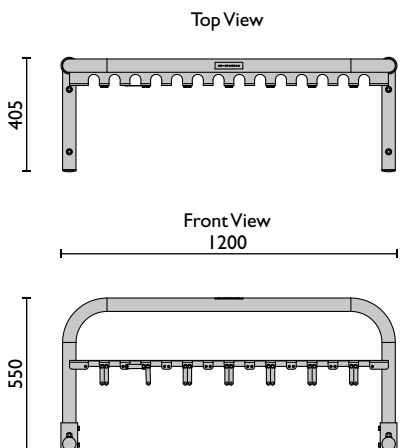
Provides parking for up to 13 scooters and skateboards



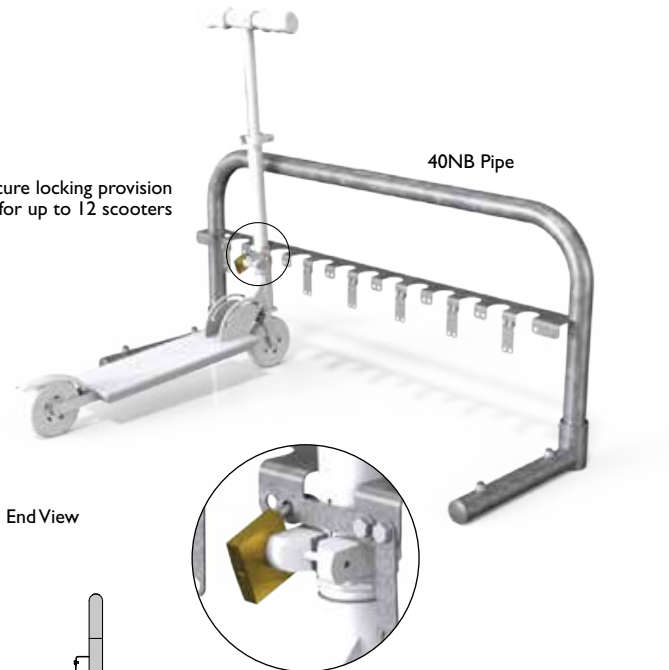
MOST POPULAR MODEL

SCR12L

Lockable



Provides secure locking provision for up to 12 scooters



Note: Padlocks are not supplied

Material Specifications (General)

SCR13 40NB (50.0) x 1.5mm light duty pipe / Ø12 round bars / Galvanised / Powder coated in a range of colours
 SCR12L 40NB (50.0) x 1.5mm light duty pipe / Galvanised / Powder coated in a range of colours

