

Repair Stations

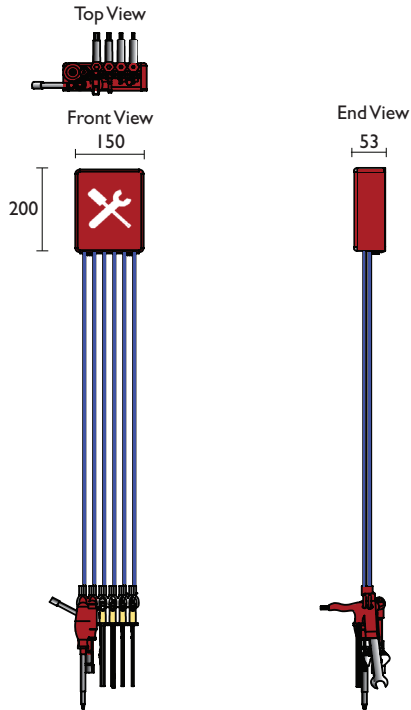
BBS04

Wall Mounted

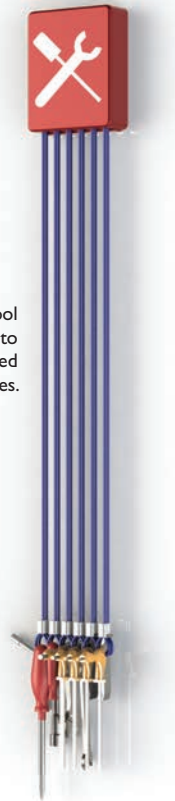
Wall mounted unit with standard bicycle repair station tools.

PLEASE NOTE:

This product comes in galvanised finish as standard. However, it can be powder coated in a range of colours at an additional cost to suit requirements.



Standard tool kits are fitted to plastic coated steel cables.



LATEST MODEL

Wall Mounted

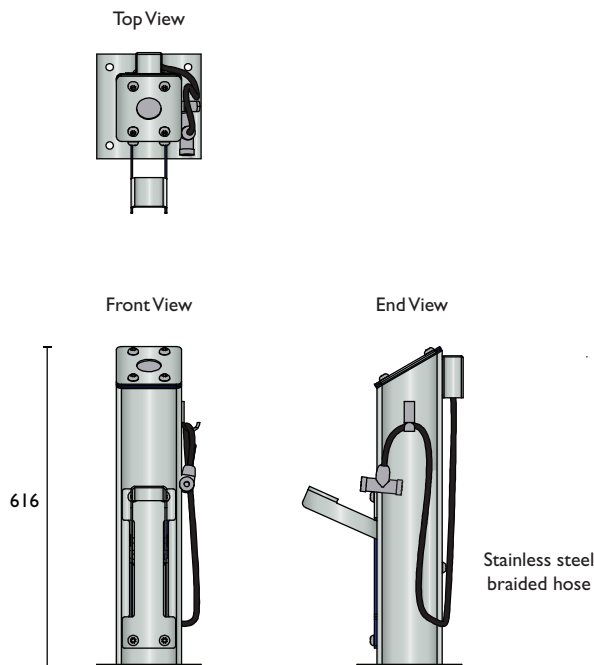
PLEASE NOTE:

This product comes in galvanised finish as standard. However, it can be powder coated in a range of colours at an additional cost to suit requirements.

BPS01

Pumping Station

When installing bike repair and pump stations care should be taken to minimise potential vandalism and tampering with the equipment. Units should be installed in well lit and popular locations, use of electronic surveillance such as CCTV is strongly recommended.



Pressure gauge

Foot pedal operation

A rugged bicycle pumping station that can be installed in either indoor or outdoor locations

Both Presta and Schrader valves included



Material Specifications (General)

BPS01 120 x 120 x 2.8mm SHS / Hot dipped galvanised